

6-GFMHR

High Rate Battery

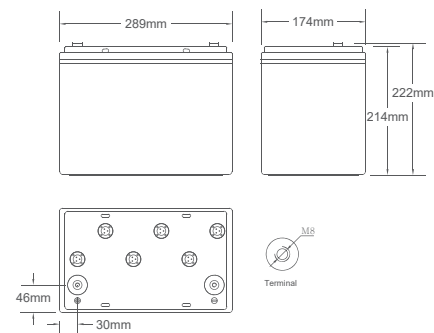
6-GFMHR-320W



Benefits

- ❑ High rate, can be used in the standby power which less than 15min
- ❑ High consistency, security, reliability and stability
- ❑ Fast charging speed, low self-discharge rate
- ❑ Designed life is 15 years
- ❑ Good anti-high current performance
- ❑ Good anti-over-discharge performance
- ❑ Excellent anti-overcharge performance
- ❑ Good anti-impact performance
- ❑ Excellent anti-vibration performance

Dimensions



Technical Parameters

Nominal Voltage	12 V
Rated Power	320W,15min to 1.67V/cell(25°C)
Weight	26.5 kg(58.42lbs)
Dimensions	Length: 289 mm (11.38 in) Width: 174 mm (6.85 in) Height: 214 mm (8.43 in) Total height: 222 mm (8.74 in)
Internal Resistance (full charged)	3.8 mΩ
Short- circuit Current	2450 A
Self Discharge @25°C(77°F)	Less than 8% after 90 days storage
Operating Temperature Range	Discharge: -40°C ~ 50°C(-40°F ~ 122°F) Charge: -20°C ~ 45°C(-4°F ~ 113°F) Storage:-20°C ~ 40°C(-4°F ~ 104°F)
Recommended Operating Temperature	15°C ~ 25°C (59°F ~ 77°F)
Recommended Charging Current	12 A
Charging Voltage @25°C(77°F)	Float: 2.23 V/cell Equalize: 2.35 V/cell
Terminal	M8
Container Materials	ABS/ABS V0 (Optional)
Capacity Affected by Temperature(C ₁₀)	105% @ 40°C(104°F) 85% @ 0°C(32°F) 60% @ -20°C(-4°F)
Design Life @25°C(77°F)	15 years

Certification

- ❑ ISO 9001: 2008
- ❑ ISO 14001: 2004
- ❑ GB/T 28001- 2011

Technical Features

- ❑ Double-sided smear, cast welding and other processes strengthen the process control and improve battery consistency
- ❑ High-strength ABS material and patented sealing technology ensure the normal use of the battery without leakage, expansion and rupture
- ❑ Corrosion-resistant alloy and stamping process greatly extend the battery life

6-GFMHR

High Rate Battery

6-GFMHR-320W



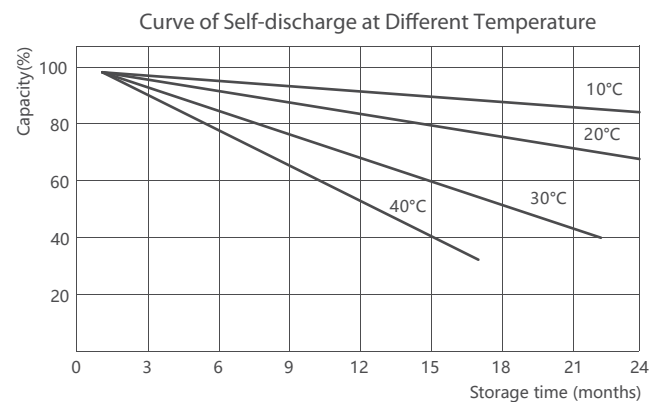
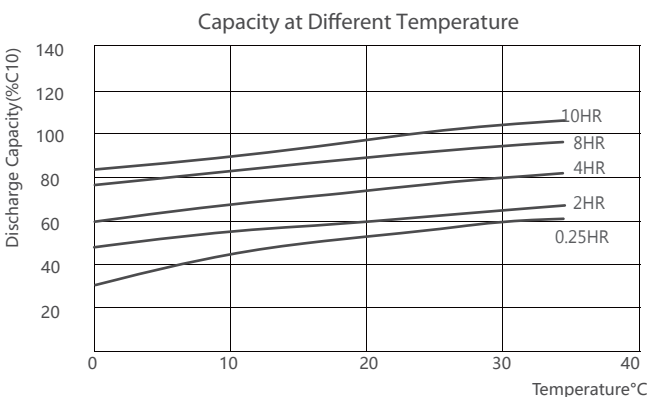
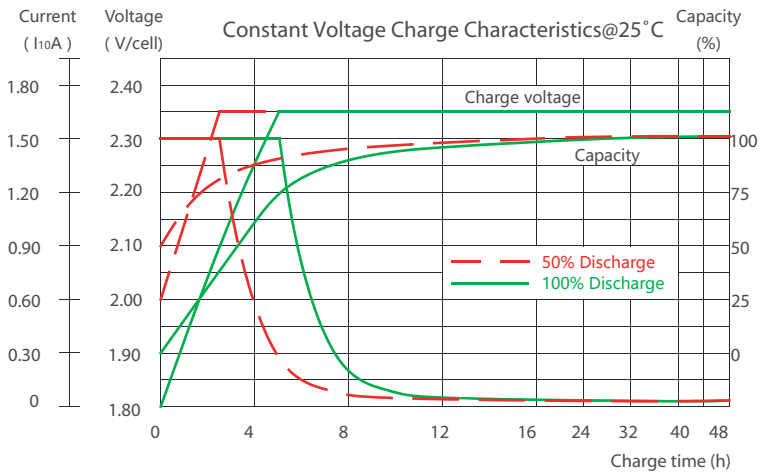
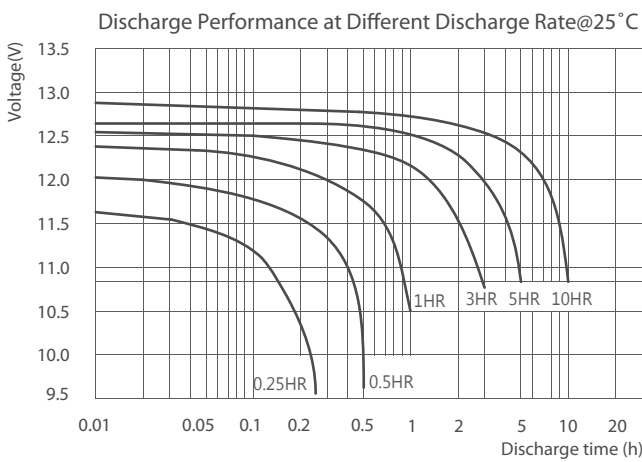
Constant Current Discharge Characteristics Unit: A (25°C, 77°F)

F.V/Time	5min	10min	15min	20min	25min	30min	1hr	1.5hr	2hr	3hr	6hr	10hr
1.60V	320	232	193	146	124	110	56.4	43.2	33.7	23.4	13.2	8.4
1.67V	303	223	180	141	120	104	53.9	41.9	33.1	23.0	12.8	8.3
1.70V	293	219	174	138	117	101	52.2	40.1	32.4	22.7	12.5	8.2
1.75V	254	217	173	135	112	95	49.2	37.7	31.8	22.3	12.2	8.1
1.80V	226	208	155	130	108	89	45.5	35.3	31.1	21.9	12.0	8.0
1.85V	196	192	141	118	99	83	43.0	33.5	29.9	21.1	11.6	7.9

Constant Power Discharge Characteristics Unit: W/cell (25°C, 77°F)

F.V/Time	5min	10min	15min	20min	25min	30min	1hr	1.5hr	2hr	3hr	6hr	10hr
1.60V	531	403	333	273	227	201	99.8	76.9	60.3	42.0	23.8	15.2
1.67V	506	399	320	267	221	192	95.8	74.9	59.4	41.6	23.2	15.1
1.70V	497	394	316	263	216	186	93.3	72.0	58.6	41.1	22.8	15.0
1.75V	432	391	311	261	212	177	88.3	68.0	57.7	40.6	22.4	14.9
1.80V	386	373	291	243	202	164	82.2	64.0	56.7	40.1	22.2	14.8
1.85V	339	335	266	224	185	155	78.0	61.1	54.8	38.8	21.4	14.7

Performance Curve



*Declaration:

This information is generally descriptive only and is not intended to make or imply any representation, guarantee or warranty with respect to any cells and batteries. Cell and battery designs/specifications are subject to modification without notice. Contact CHINASHOTO for the latest information.

Welcome to Visit : www.chinashoto.com